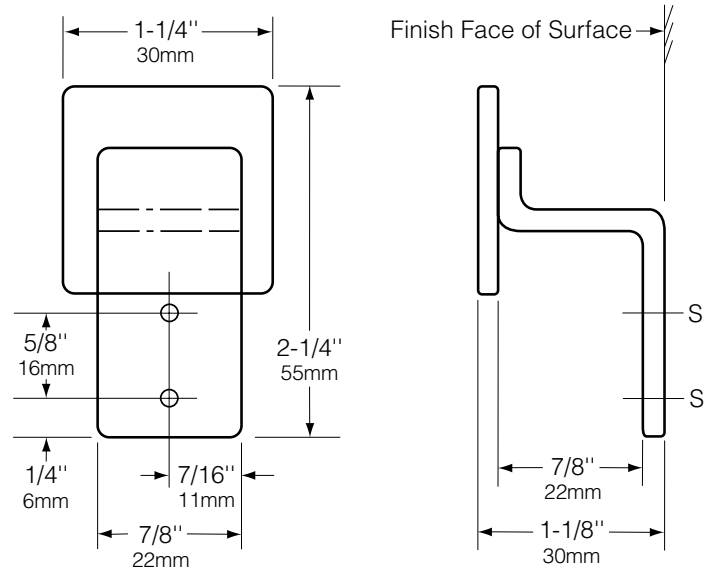




Technical Data

STAINLESS STEEL CLOTHES HOOK

B-233



MATERIALS:

18-8 S, type-304, 11-gauge (3.2mm) stainless steel with satin finish. All-welded construction.

INSTALLATION:

Mount hook on wall using sheet-metal screws, furnished by manufacturer, at points indicated by an S. For plaster or dry wall construction, provide concealed backing to comply with local building codes, then secure unit with screws furnished. For other wall surfaces, provide fiber plugs or expansion shields for use with screws furnished, or provide 1/8" (3mm) toggle bolts or expansion bolts.

SPECIFICATION:

Clothes hook shall be type-304, 11-gauge (3.2mm) stainless steel with satin finish and all-welded construction. Manufacturer's service and parts manual shall be provided to the building owner/manager upon completion of project.

Stainless Steel Clothes Hook shall be Model B-233 of Bobrick Washroom Equipment, Inc., Clifton Park, New York; Jackson, Tennessee; Los Angeles, California; Bobrick Washroom Equipment of Canada Ltd., Scarborough, Ontario; Bobrick Washroom Equipment Pty. Ltd., Australia; and Bobrick Washroom Equipment Limited, United Kingdom.